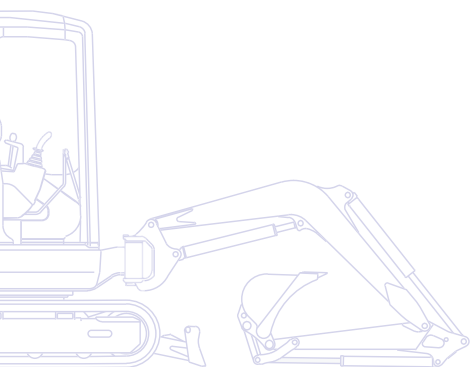


KOMATSU

PC
45MR



Mini-Excavator **PC45MR-3**



ENGINE POWER
29,5 kW / 39,6 HP @ 2.400 rpm

OPERATING WEIGHT
4.595 - 4.780 kg

BUCKET CAPACITY
0,07 - 0,175 m³

Specifications

ENGINE

The new generation engine has been developed to comply with the strictest emission controls.

Model	Komatsu 4D88E-6
Type	emissionised 4-cycle diesel engine
Displacement.....	2.189 cm ³
Bore × stroke.....	88 × 90 mm
No. of cylinders	4
Engine power	
at rated engine speed	2.400 rpm
ISO 14396	29,5 kW / 39,6 HP
ISO 9249 (net engine power)	28,5 kW / 38,2 HP
Max. torque/engine speed	137 Nm/1.440 rpm
Cooling system.....	water
Air filter type	dry
Starter motor	electric motor with pre-heating air system for cold climate

OPERATING WEIGHT

Operating weight with standard bucket, fully serviced, +75 kg operator (ISO 6016).

Operating weight with cab and rubber shoes	4.715 kg
Operating weight with cab and steel shoes	4.780 kg
Canopy	-150 kg (optional)

HYDRAULIC SYSTEM

Type	Komatsu CLSS
Main pump	2 × variable displacement pump
Max. pump flow.....	53,5 × 2 + 33,8 ltr/min
Max. operating pressure	26,5 MPa (265 bar)

Hydraulic motors:

Travel.....	2 × variable displacement
Swing	1 × fixed displacement

Hydraulic cylinders (bore × stroke):

Boom	90 × 696 mm
Arm	80 × 649 mm
Bucket.....	70 × 580 mm
Boom swing.....	90 × 630 mm
Blade.....	110 × 140 mm

Bucket digging force (ISO 6015)

3.393 daN (3.460 kg)

Arm crowd force (ISO 6015):

 1.375 mm arm..... 2.157 daN (2.200 kg)

 1.770 mm arm..... 1.961 daN (2.000 kg)

The digging equipment is fully controlled by PPC servo-controls. All movements are stopped by lifting the safety levers on the tilting case.

ENVIRONMENT

Vibration levels (EN 12096:1997)*

 Hand/arm..... ≤ 2,5 m/s² (uncertainty K = 1,2 m/s²)

 Body

 ≤ 0,5 m/s² (uncertainty K = 0,2 m/s²)

* for the purpose of risk assessment under directive 2002/44/EC,

please refer to ISO/TR 25398:2006.

SWING SYSTEM

The rotation is operated by means of an orbital hydraulic motor. Single ball-bearing ring with internal, induction hardened toothring.

Centralised lubrication of the unit.

Swing speed..... 9,0 rpm

BLADE

Type

electro-welded, single unit structure

Width × height

1.960 × 355 mm

Max. lifting above ground level

430 mm

Max. depth below ground level

330 mm

UNDERCARRIAGE

Central lower X-frame and carriage frame with boxed section.

Track rollers (each side)..... 4

Shoe width

400 mm

Ground pressure (standard)..... 0,25 kg/cm²

ELECTRIC SYSTEM

Voltage..... 12 V

Battery

72 Ah

Alternator..... 40 A

Starter motor

2,3 kW

SERVICE CAPACITIES

Fuel tank

65 ltr

Radiator and system

8,5 ltr

Engine oil (refill)

7,5 ltr

Hydraulic system..... 55 ltr

TRANSMISSION

Type

2 speed hydrostatic transmission, controlled and steered by means of two levers and two pedals

Hydraulic motors

2 × axial pistons

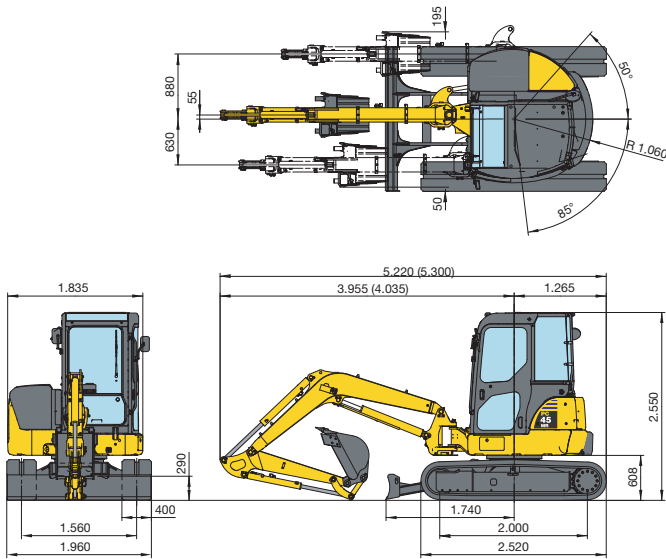
Reduction system..... planetary gear

Max. drawbar pull..... 4.197 daN (4.280 kgf)

Travel speed

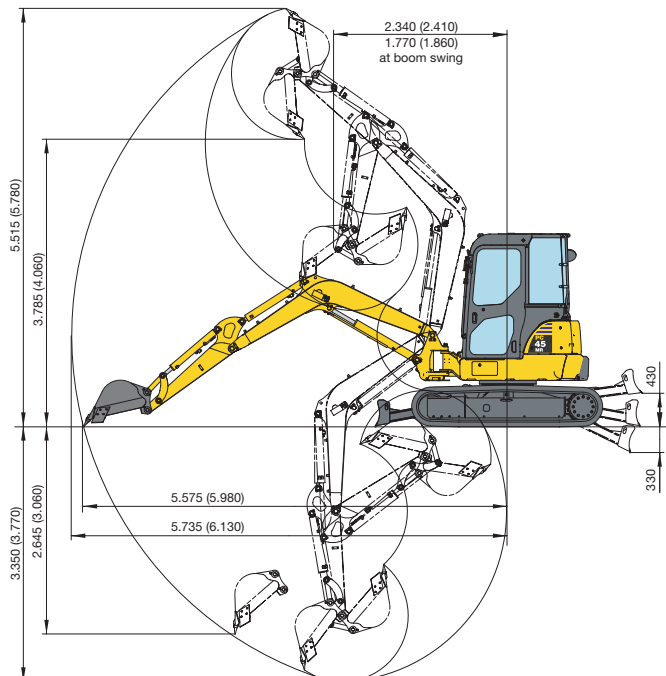
2,8 - 4,6 km/h

Dimensions & Working Range



BUCKET RANGE

Width mm	Capacity m ³ (ISO 7451)	Weight kg	No. of teeth
300	0,07	75	2
400	0,1	90	3
500	0,125	100	4
600	0,15	115	5
700	0,175	125	5



Cab, rubber shoes, blade down

A - Distance from machine's center B - Height at bucket pin

ARM LENGTH 1.375 mm

A	2 m		3 m		4 m		Max. outreach	
	Front	360°	Front	360°	Front	360°	Front	360°
4 m	-	-	-	-	-	-	(*)1.005	775
3 m	-	-	(*)990	(*)990	(*)990	670	(*)1.020	555
2 m	-	-	(*)1.530	1.050	(*)1.165	655	(*)1.060	475
1 m	-	-	(*)2.125	975	(*)1.380	625	(*)1.120	450
0 m	-	-	(*)2.345	940	(*)1.505	605	(*)1.195	475
-1 m	(*)3.010	1.875	(*)2.195	945	(*)1.400	605	(*)1.280	570
-2 m	(*)2.635	1.935	(*)1.505	975	-	-	(*)1.340	900

Unit: kg

ARM LENGTH 1.770 mm

A	2 m		3 m		4 m		Max. outreach	
	Front	360°	Front	360°	Front	360°	Front	360°
4 m	-	-	-	-	(*)805	675	(*)855	615
3 m	-	-	-	-	(*)810	680	(*)880	465
2 m	-	-	(*)1.220	1.070	(*)1.000	655	(*)925	405
1 m	-	-	(*)1.895	985	(*)1.260	625	(*)980	385
0 m	(*)1.250	(*)1.250	(*)2.275	930	(*)1.450	595	(*)1.045	405
-1 m	(*)2.410	(*)2.410	(*)2.275	920	(*)1.465	585	(*)1.125	470
-2 m	(*)3.355	1.870	(*)1.865	935	-	-	(*)1.215	655

Unit: kg

NOTE:

Ratings are based on ISO standard 10567. Rated loads do not exceed 87% of hydraulic lift capacity or 75% of tipping load. Excavators used in object handling operations must comply with the related local regulations and must be equipped with hose burst valves (boom & arm) and an overload warning device in compliance with EN474-5.

- The values marked with an asterisk (*) are limited by the hydraulic capacities.
- Calculations are based on the machine resting on a uniform and firm surface.
- The lifting point is a hypothetical hook placed behind the bucket.

Mini-Excavator

PC45MR-3

Standard Equipment

- ROPS (ISO 3471) / FOPS (ISO 10262) tilting cab with heating
- Sliding door
- 400 mm rubber shoes
- 1.375 mm digging arm
- Two speeds with "Automatic Shift Down"
- 1 / 2 way auxiliary hydraulic circuit up to the arm
- Blade
- Adjustable suspension seat
- Lifting cylinder guard
- Working light on boom
- 2 rear-view mirrors
- Travel acoustic alarm
- KOMTRAX™ - Komatsu satellite monitoring system
- Boom and arm safety valves, overload warning device (for EU countries only)

Optional Equipment

- ROPS (ISO 3471) / FOPS (ISO 10262) canopy
- 400 mm steel shoes
- 400 mm road liners
- 1.770 mm digging arm
- Air conditioning
- Bucket range (300 - 700 mm)
- 1.400 mm ditch cleaning bucket
- Valves on bucket cylinder
- Bucket linkage with lifting eye
- Boom and arm safety valves, overload warning device (for non-EU countries only)
- Blade safety valve
- Relieve valves for attachments
- Rotating beacon
- Cab/canopy working lights
- Additional cab rear working light
- Radio pre-setting
- Proportional controls for attachment on joystick
- Komatsu mechanical quick-coupler
- Buckets with Kmax teeth

Your Komatsu partner:

KOMATSU

**Komatsu Europe
International NV**
Mechelsesteenweg 586
B-1800 VILVOORDE (BELGIUM)
Tel. +32-2-255 24 11
Fax +32-2-252 19 81
www.komatsu.eu

WESS006004 07/2012

Materials and specifications are subject to change without notice.
KOMATSU is a trademark of Komatsu Ltd. Japan.